

# Installation Instruction

## Tools Needed for Assembly

Stud finder (for wood stud wall)  
Pencil Mark  
Electric drill

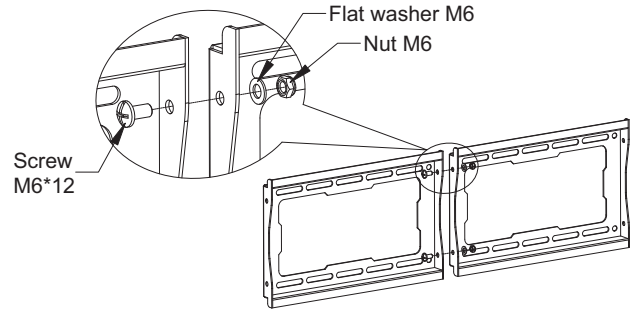
Drill bit (for wood stud wall)  
Masonry drill bit (for concrete wall)  
Ratchet

Measuring tape  
Phillips screwdriver

Use a qualified professional to properly install. VideoSecu is not liable for the improper use or installation of its products. Common hardware is provided. Installers are responsible to provide additional hardware.

## Step 1. Assemble the Wall Plate

Set the two wall plates side by side, match the screw holes. Then lock with bolt and nut tightly.

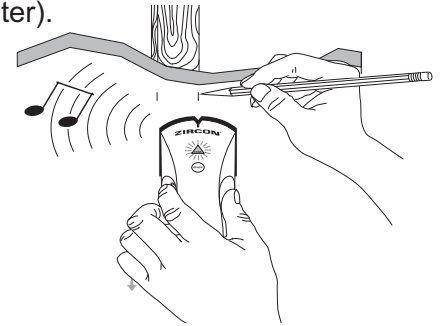


## Wood Stud Wall Installation

### Step 2. Locate the Wood Studs

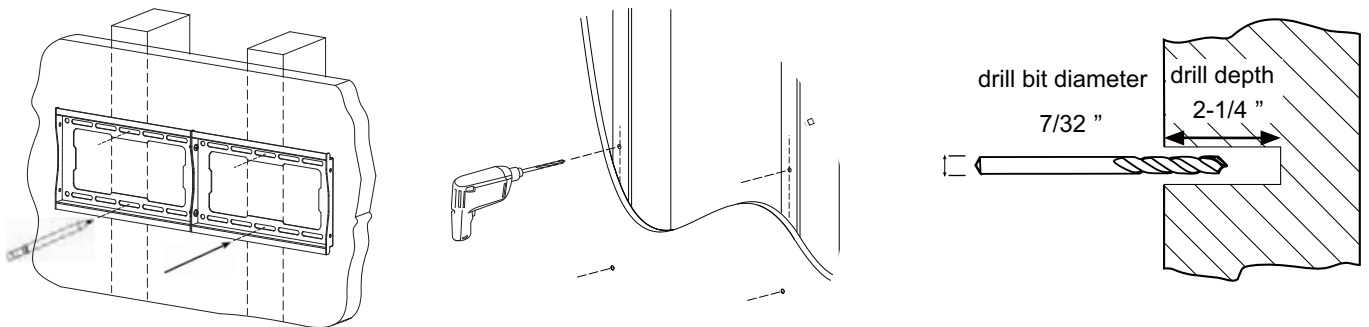
Wall studs run vertically (up and down) inside the wall, behind the drywall or plaster. You must attach the mount wall plate to two wood studs, which usually are 16 inches apart (on center).

Use an awl, a thin nail, a small drill bit, or an edge to edge stud finder, finds the edges of the stud, and using level draw a vertical line at stud center.



### Step 3. Drill Pilot Holes

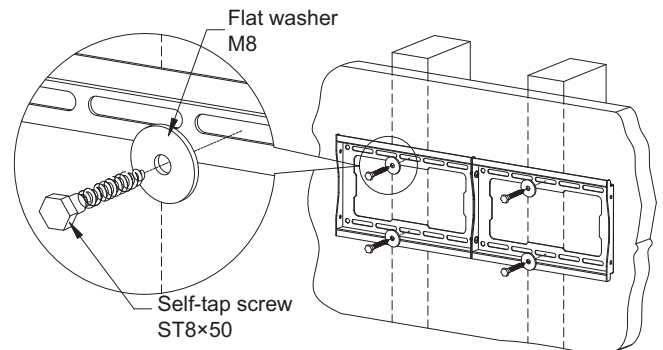
- 3-1. Hold the wall plate so the holes line up with the stud center lines.
- 3-2. Level the wall plate and mark the mounting hole position.
- 3-3. Drill a pilot hole at the marked location using a power drill and a 7/32" drill bit.



### Step 4. Mount Wall Plate

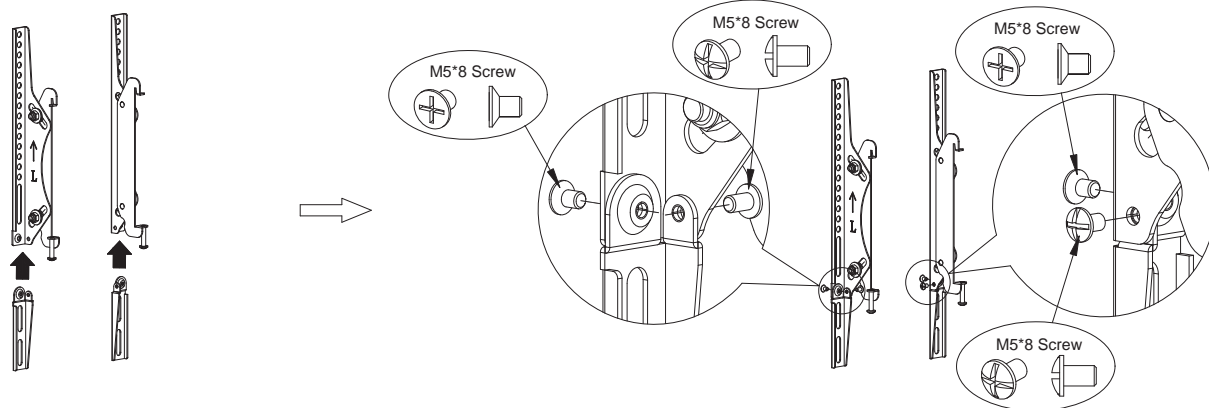
Using the provided lag bolts and washers, tighten each bolt with a socket wrench. Do not use power drill and do not over tighten the lag bolts.

Double check to ensure that it is level.



## Step 5. Assemble the Two Brackets

Set the two brackets on the suitable position, match the screw holes. Then lock with bolt tightly.

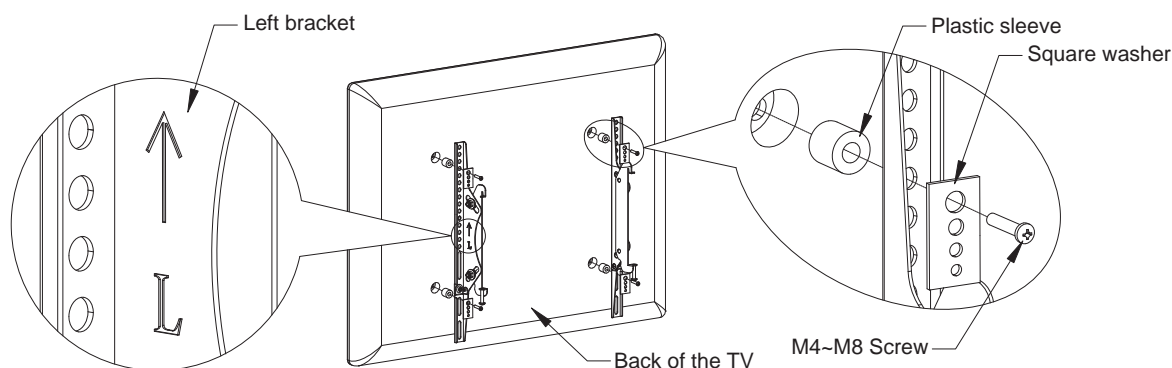


## Step 6. Attach Vertical Brackets to the Back of the TV

6-1. Many TVs come with screws already in the wall mounting holes, you can use them. The hardware pack also includes the most common size screws. Hands thread screws into the threaded inserts on the back of your TV to determine the correct screw size and length. Some TVs may require specific hardware, which is not provided. In such case, contact the TV manufacture to identify correct size and purchase them from your local hardware store.

6-2. For TV with flat back, align TV bracket to holes on the back of TV, Fasten using supplied hardware with a screwdriver. Use square washer as needed. Hand tools only.

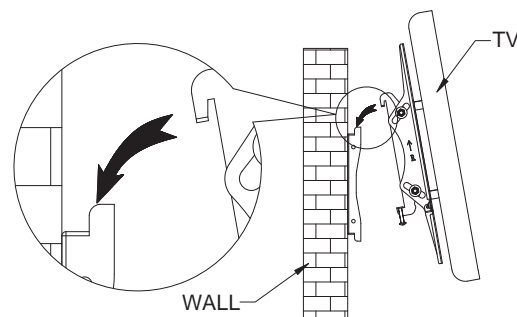
6-3. For TV with irregular backs, using plastic sleeve spacers between TV and the bracket if needed.



## Step 7. Hang the TV with Mounting Brackets onto the Wall Plate

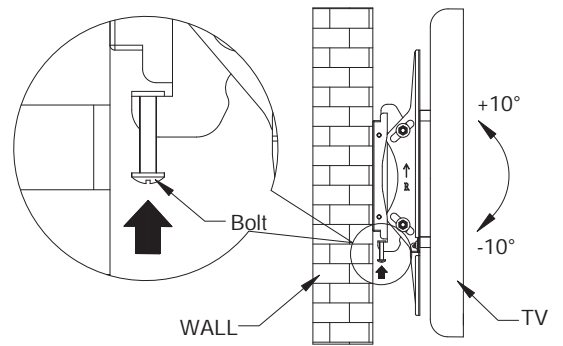
7-1. Two people lift the TV, hook the top of the TV bracket onto the wall plate rail.

7-2. Make sure both bracket hooked to the wall plate rail; check if the TV is resting securely on the wall plate.



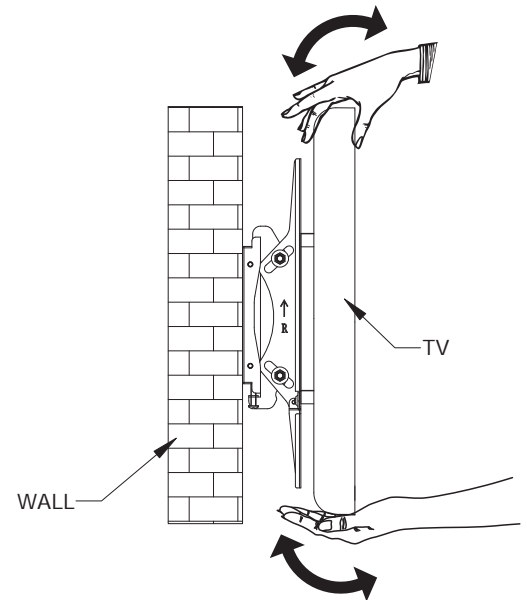
## Step 8. Tighten Both Security Screws

- 8-1. Using a screwdriver tighten securing screw to lock TV in place. As shown in the FIG 1.
- 8-2. Verify that you cannot pull the bottom edge of the screen away from the wall.

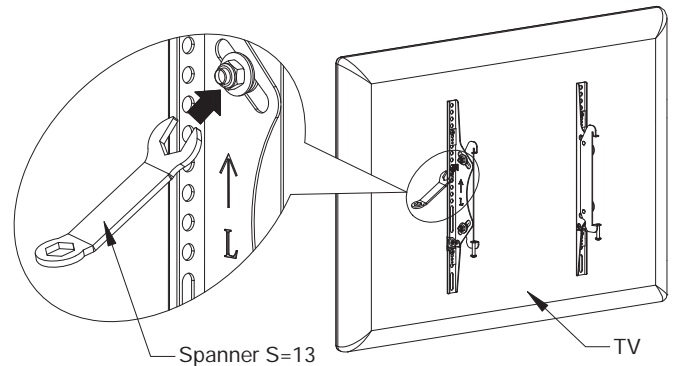


## Step 9. Adjusting the TV Tilt Angle

- 9-1. Place one hand at the center top edge of the TV, place the other hand on the center bottom edge of the TV, using the upper hand, gently pull the top of the TV towards you while the lower hand gently pushes the bottom of the TV away from you, or vice versa.



- 9-2. TV tilt bracket tension is preset at the factory. In case the tilt tension needs adjust, remove the TV from the mount; use a spanner wrench tightening or loosening the locknuts on the TV bracket.



## Concrete Wall Installation

### Step 2. Drill Mounting Holes

- 2-1. Hold the wall plate against the wall where you want to mount the screen.
- 2-2. Level the wall plate, mark off holes to be used for securing the wall plate.
- 2-3. Using a 3/8" Masonry bit, drill 2.5 inch deep holes at the spots marked in the previous step.

### Step 3. Install Anchors

Find the plastic concrete anchors (do not use it in wood stud wall). Place an anchor in each hole. Tap each anchor flush with the wall using a hammer

Following to Step 4 to finish the installation