

Installation Instruction

Tools Needed for Assembly

Stud finder (for wood stud wall)
Pencil Mark
Electric drill

Drill bit (for wood stud wall)
Masonry drill bit (for concrete wall)
Ratchet

Measuring tape
Phillips screwdriver
Level

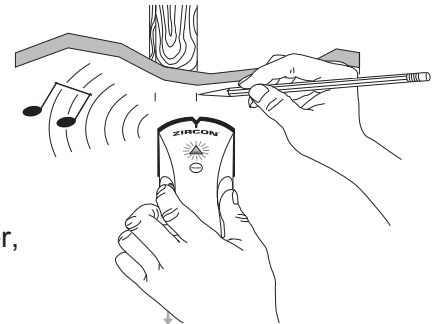
Use a qualified professional to properly install. VideoSecu is not liable for the improper use or installation of its products. Hardware provided is for mount through standard thickness drywall into wood studs, or mount to solid concrete wall. Installers are responsible to provide hardware for other types of mounting situations. For metal stud wall or other hollow wall installations, toggle bolt anchors can be purchased from your local hardware store, consult a specialist at your local hardware store for select and use special anchors.

Wood Stud Wall Installation

Step 1. Locate the Wood Studs

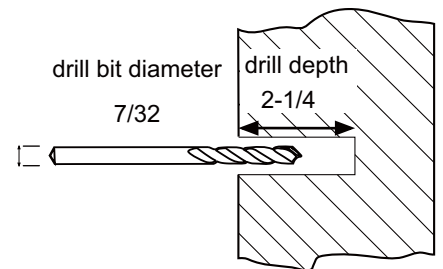
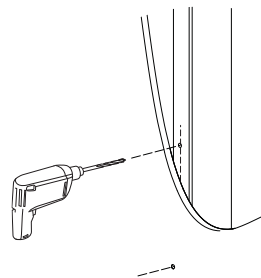
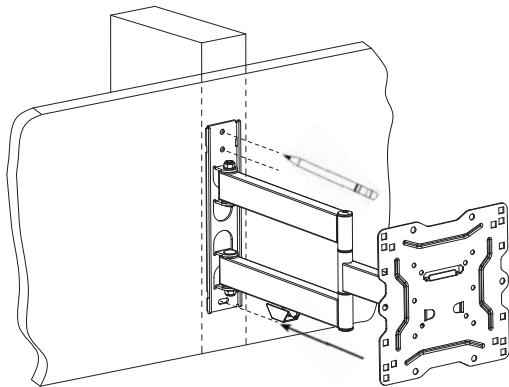
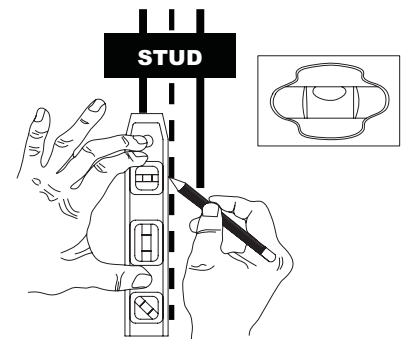
Wall studs run vertically (up and down) inside the wall, behind the drywall or plaster. The wall plate must be mounted to wood stud.

- 1-1. Using an awl, a thin nail, a small drill bit, or an edge to edge stud finder, finds the edges of the stud.
- 1-2. Mark the centerline of the stud.



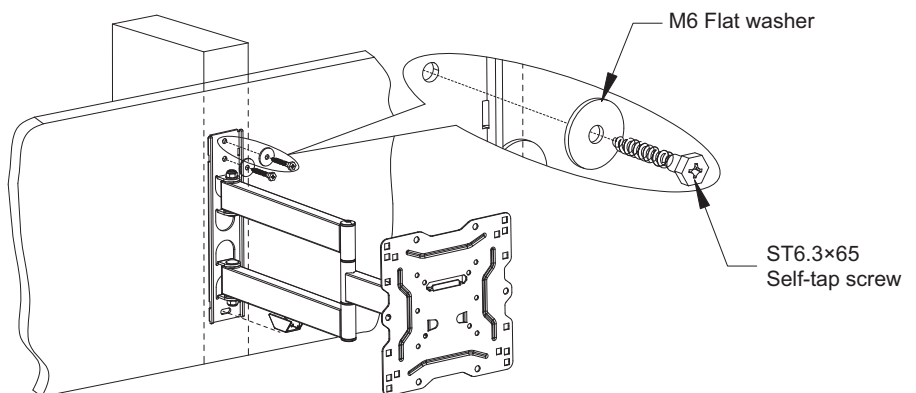
Step 2. Drill Pilot Holes

- 2-1. Hold the wall plate so the holes line up with the stud center lines.
- 2-2. Level the wall plate and mark the mounting hole position.
- 2-3. Drill a pilot hole at the marked location using a power drill and a 7/32" drill bit.



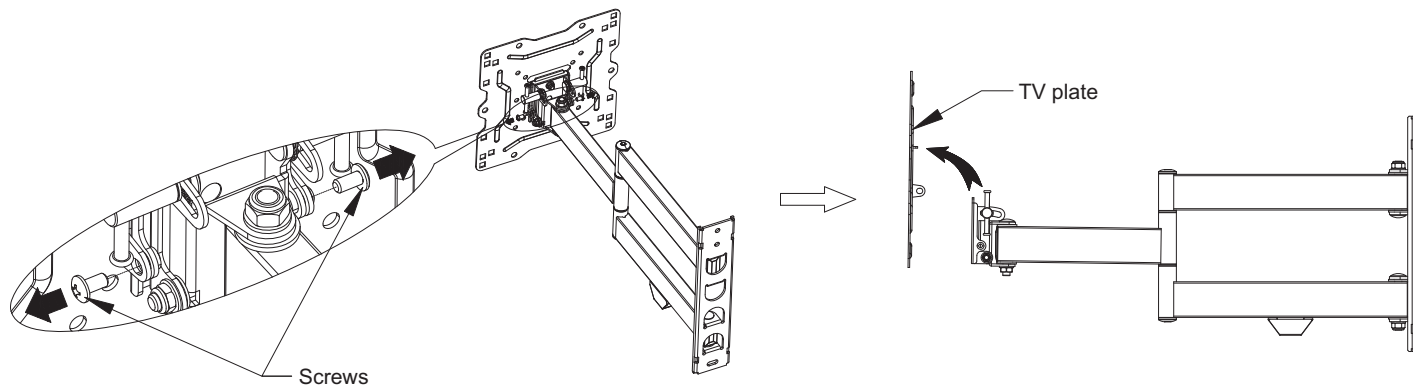
Step 3. Mount Wall Bracket

Using the provided lag bolts, tighten each bolt with a socket wrench. Do not use power drill and do not over tighten the lag bolts.



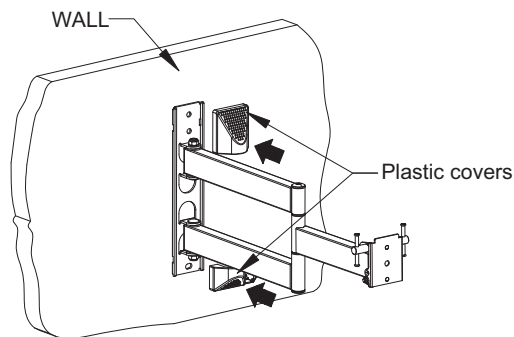
Step 4. Remove the TV Plate from the Bracket

Separate the TV plate from the mount by remove the two screws at the side.



Step 5. Insert the plastic covers

Insert the two plastic covers on the wall plate.



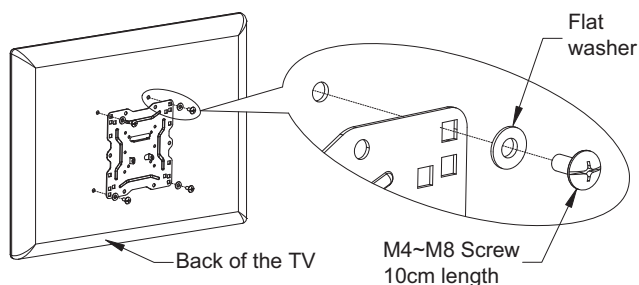
Step 6. Attach TV plate to the TV or Monitor

6-1. Many TVs come with screws already in the wall mounting holes, you can use them. The hardware pack also includes the most common size screws. Hands thread screws into the threaded inserts on the back of your TV to determine the correct screw size and length. Some TVs may require specific hardware, which is not provided. In such case, contact the TV manufacture to identify correct size and purchase them from your local hardware store.

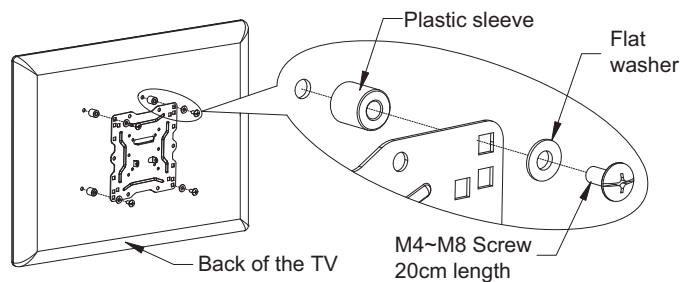
6-2. Using screws and washers attach the TV plate to the back of the TV with flat back. For TV with curved or irregular back, using plastic sleeve spacer as needed.

Note: The flat washers are only used for M4 or M5 screw.

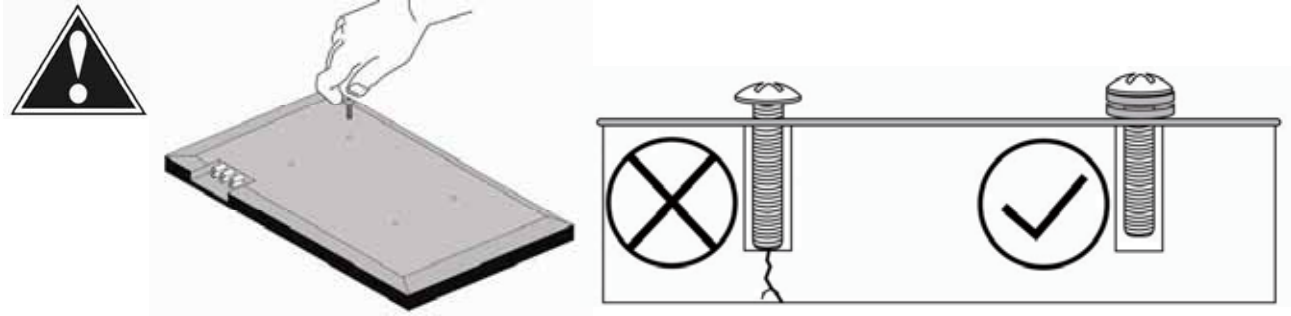
FOR TV WITH FLAT BACK



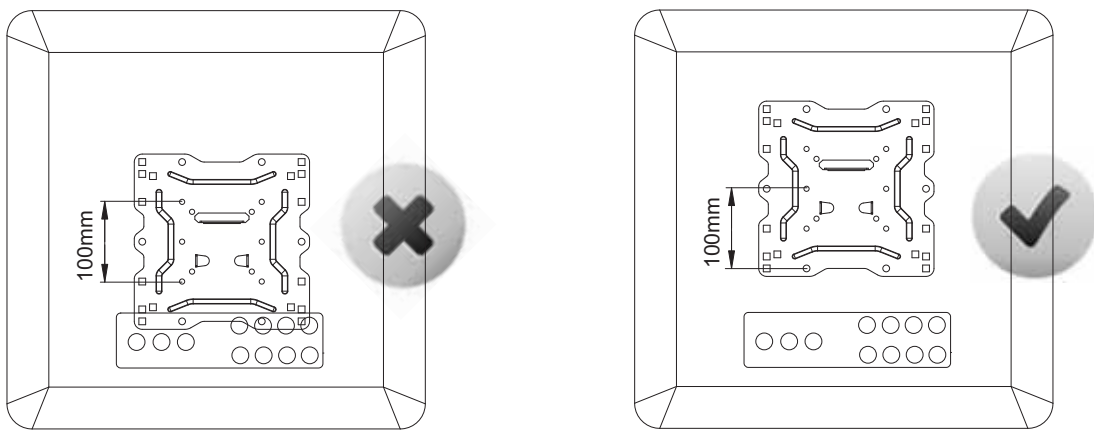
FOR TV WITH CURVED BACK



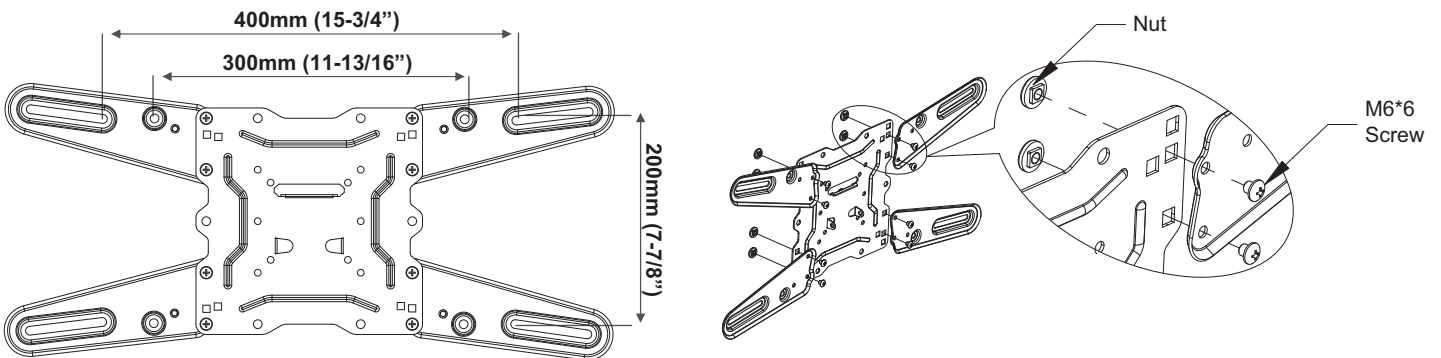
WARNING! PLEASE SELECT THE PROPER SCREW LENGTH FOR YOUR FLAT PANEL BY HAND TIGHTENING TO CHECK YOUR FLAT PANELS THREAD DEPTH.



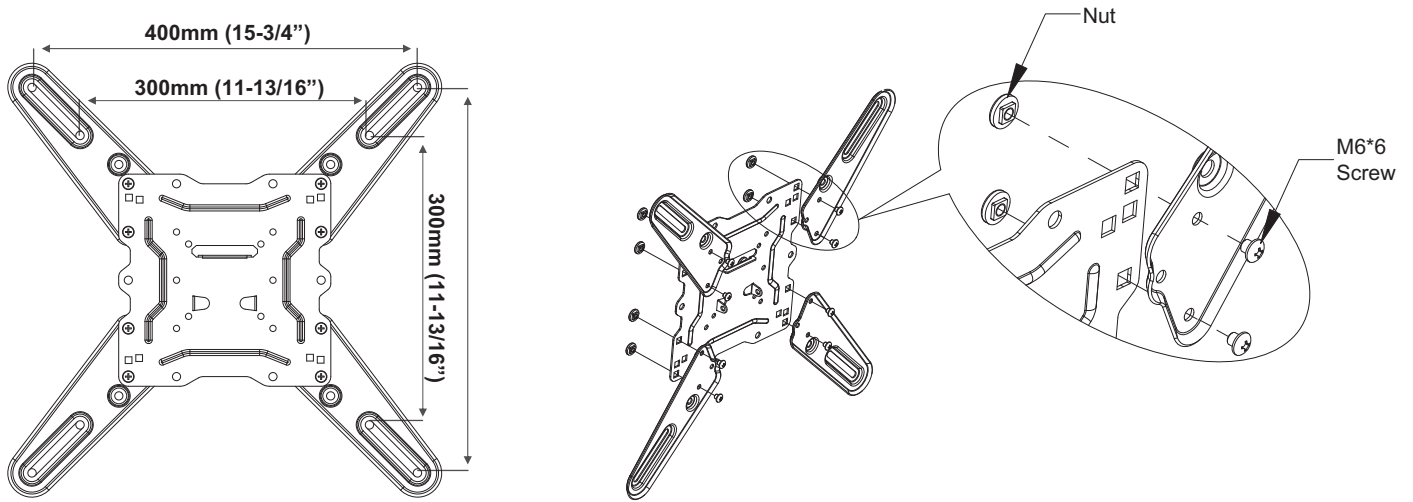
6-3. For TV with smaller mounting holes pattern (VESA 200x100mm or 100x100mm), moving the plate up or down to select different mounting positions, to avoid block the input panel.



6-4. For TV with mounting hole pattern 300 x 200mm (11 13/16 x 7 7/8 inches), 400 x 200mm (15 3/4 x 7 7/8 inches) install the optional adapter kit as following.



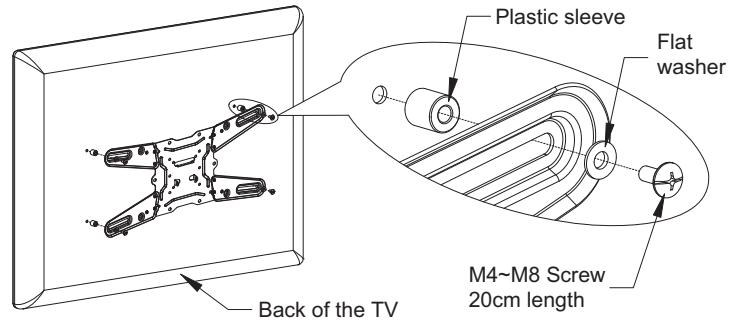
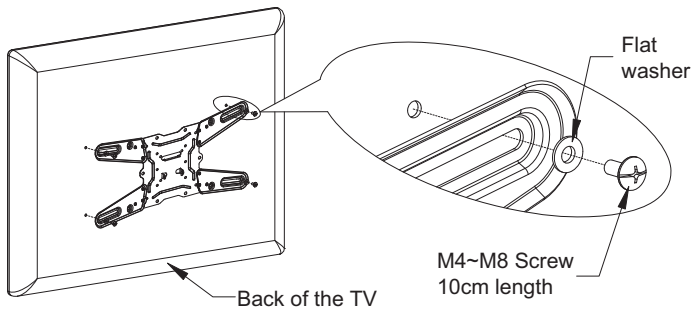
6-5. For TV with mounting hole pattern 300 x 300mm (11 13/16 x 11 13/16 inches), 400 x 400mm (15 3/4 x 15 3/4 inches) install the optional adapter kit as following.



6-6. Using screws and washers attach the TV plate together with the expansion kit to the back of the TV with flat back. For TV with curved or irregular back, using plastic sleeve spacer as needed.
 Note: The flat washers are only used for M4 or M5 screw.

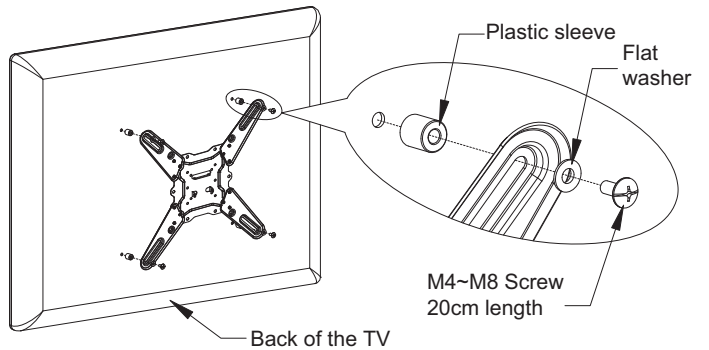
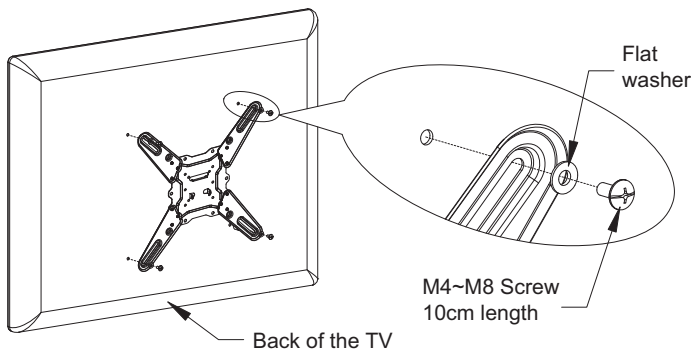
FOR TV WITH FLAT BACK

FOR TV WITH CURVED BACK



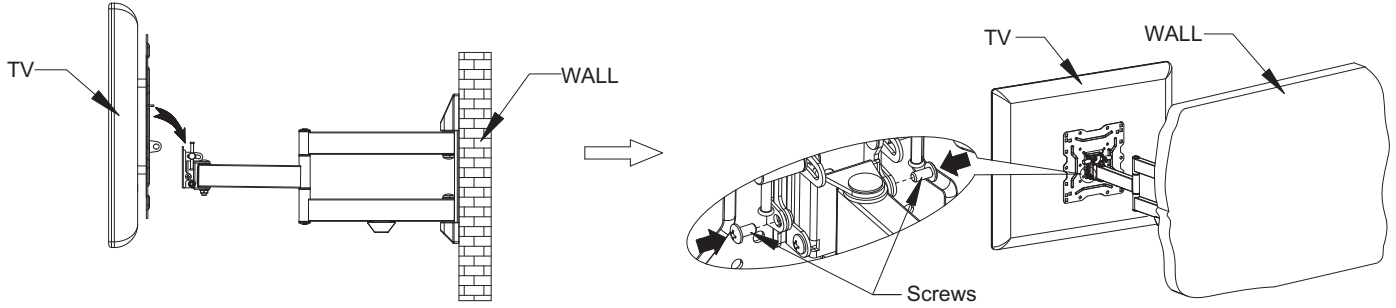
FOR TV WITH FLAT BACK

FOR TV WITH CURVED BACK



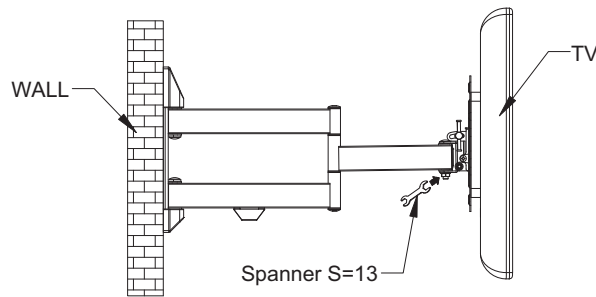
Step 7. Hang the TV to the Wall Plate

Hang TV onto wall bracket, and then fix the lock nut tightly.

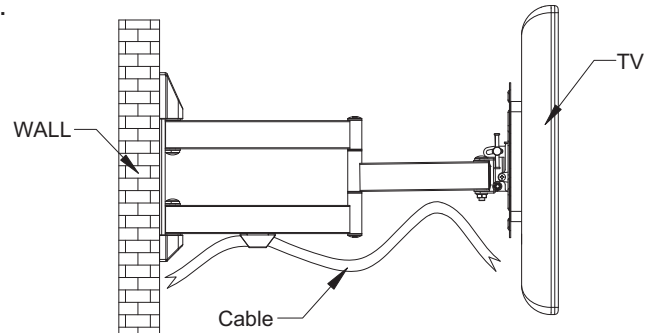


Step 8. Adjusting the TV display

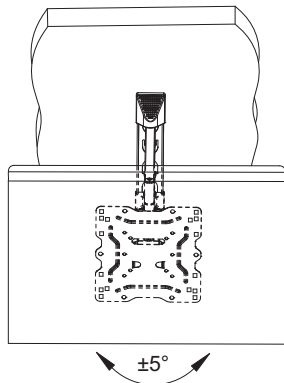
8-1. The TV or monitor can be adjusted to desire location by tilt and swivel the bracket.



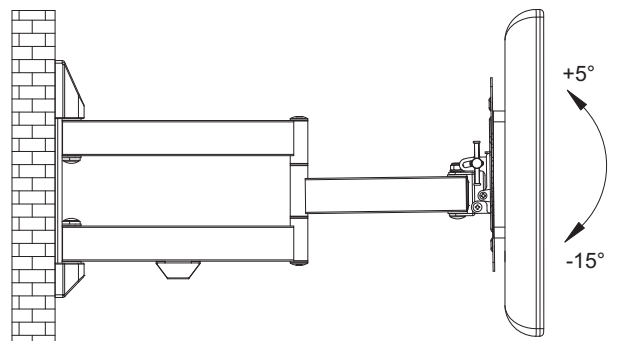
8-2. This mount includes a cable management feature.



8-3. Tension is pre-set at the factory. Some time you may loosen arm adjustment bolts to adjust tension. Tighten the bolts after moving the TV to desired location.

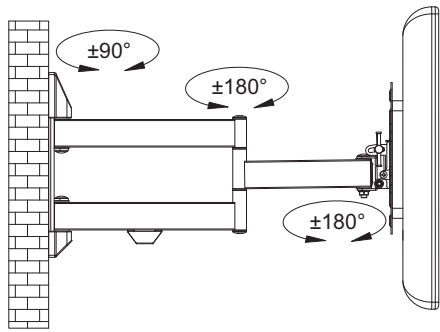


Pivot: $\pm 5^\circ \sim -5^\circ$

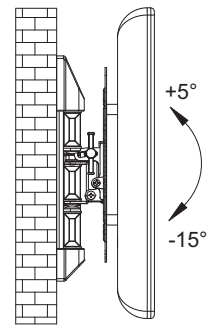


Tilt Angle: $+5^\circ \sim -15^\circ$

Level the TV and then tighten back the nut



Swivel



Rotate Against Wall

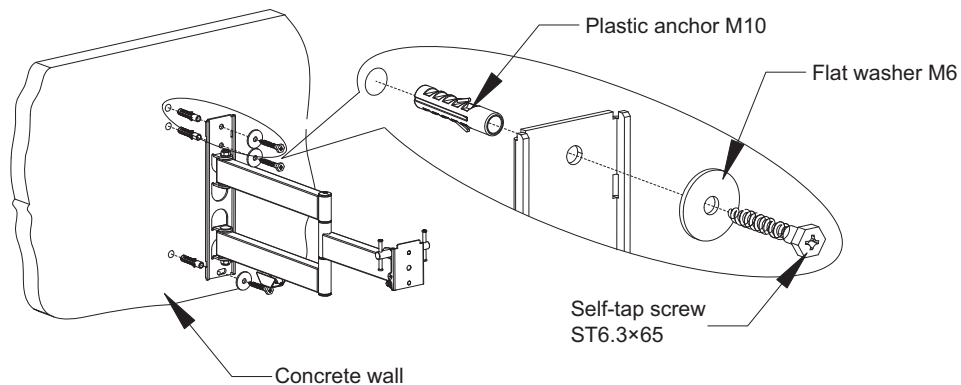
Concrete Wall Installation

Step 1. Drill Mounting Holes

- 1-1. Hold the wall plate against the wall where you want to mount the screen.
- 1-2. Level the mounting plate using level, mark off holes to be used for securing the wall plate and place the wall plate aside.
- 1-3. Using a 3/8" Masonry bit, drill 2.5 inch deep holes at the spots marked in the previous step.

Step 2. Install Anchors

Find the plastic concrete anchors (do not use it in wood stud wall). Place an anchor in each hole. Tap each anchor flush with the wall using a hammer.



Following to Step 4 to finish the installation